

# CCS Technical Documentation

## RH-21 Series Transceivers

# Parts Lists



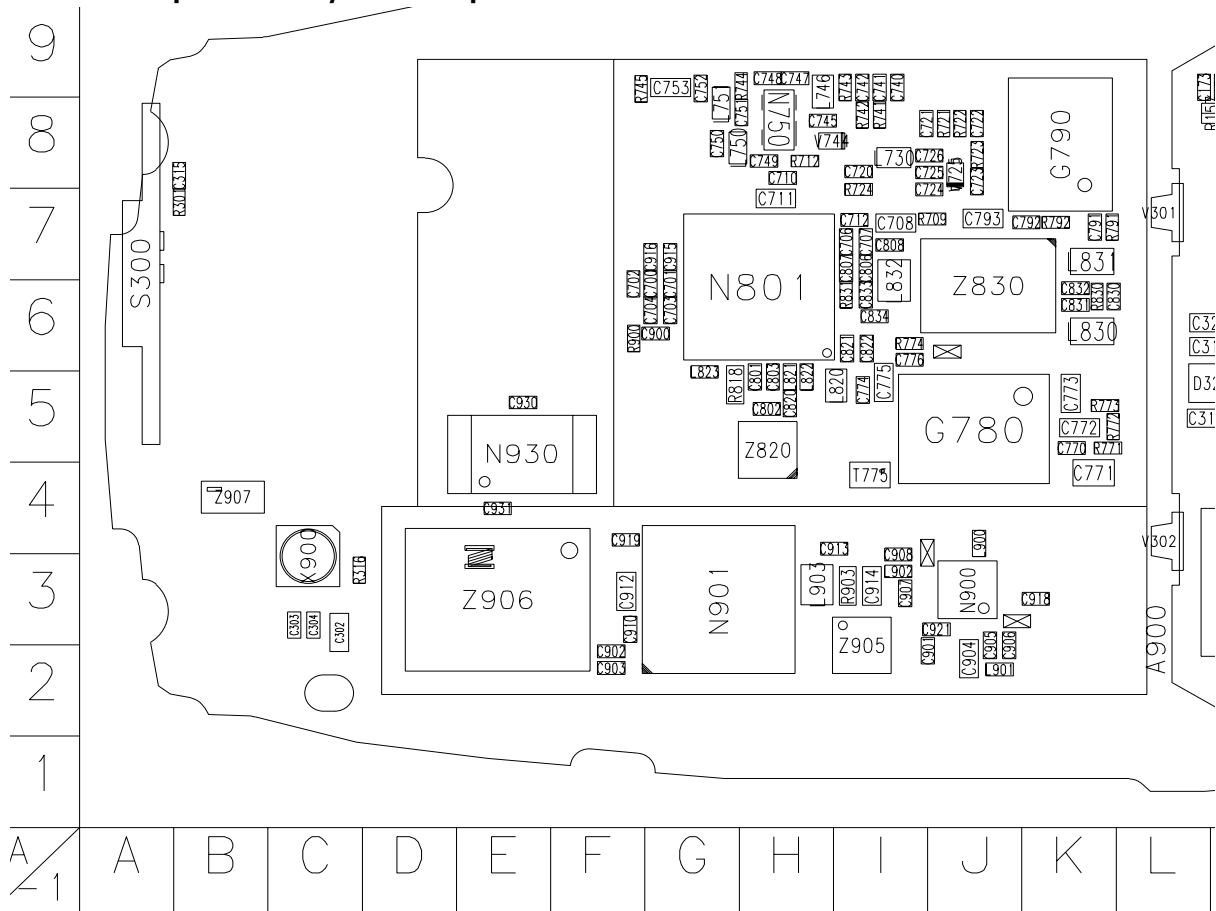
**Contents**

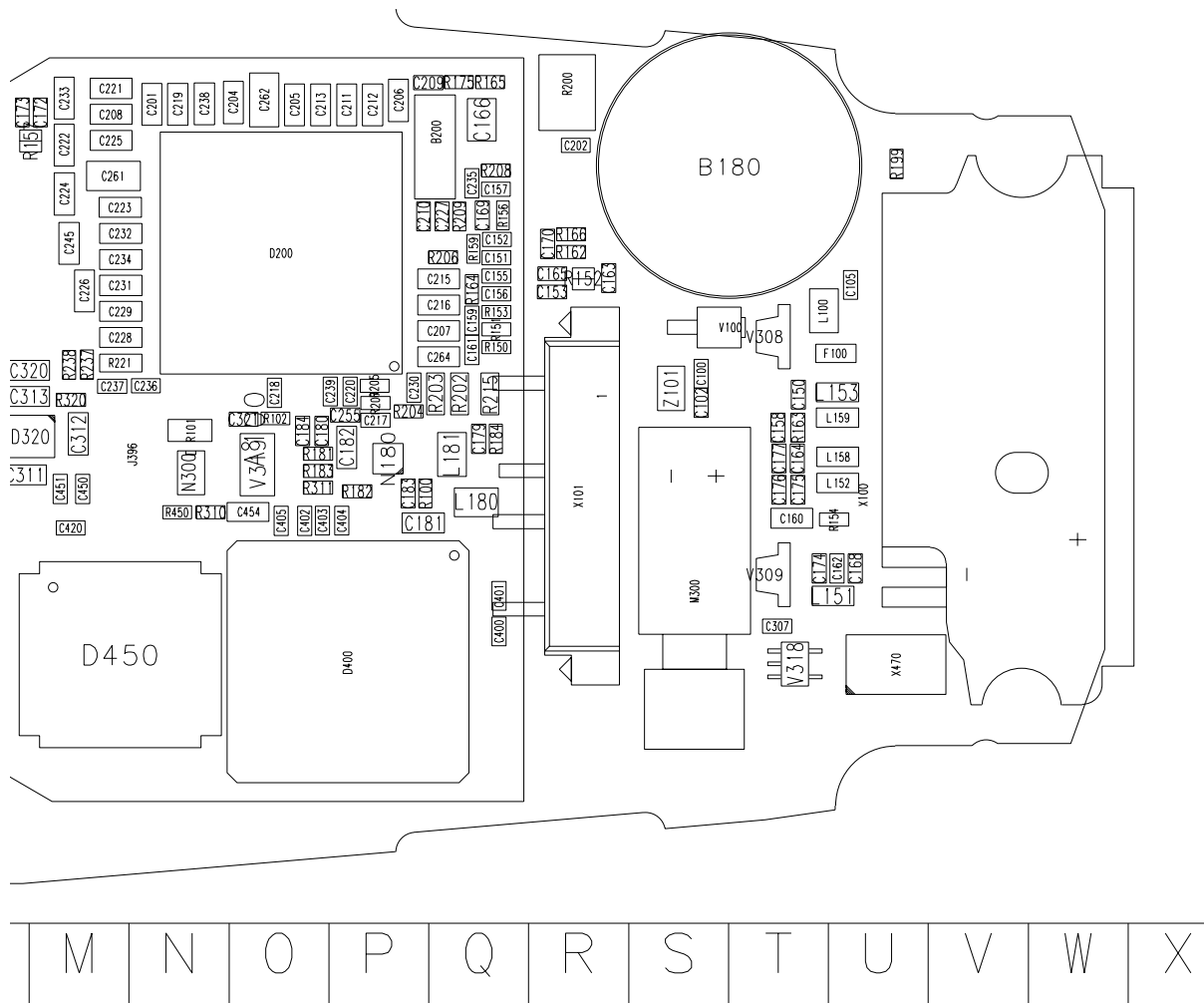
	<b>Page No</b>
Component Layout.....	5
3520 Component Layout - Top .....	5
Exploded Views .....	7
Main Assembly .....	7
Assembly Parts List .....	7
Internal Module Assembly Structure .....	8
Assembly Parts List .....	8
Parts List .....	9
RH-21 (3520) — EDMS Issue 2.10 Code: 0202092 .....	9



# Component Layout

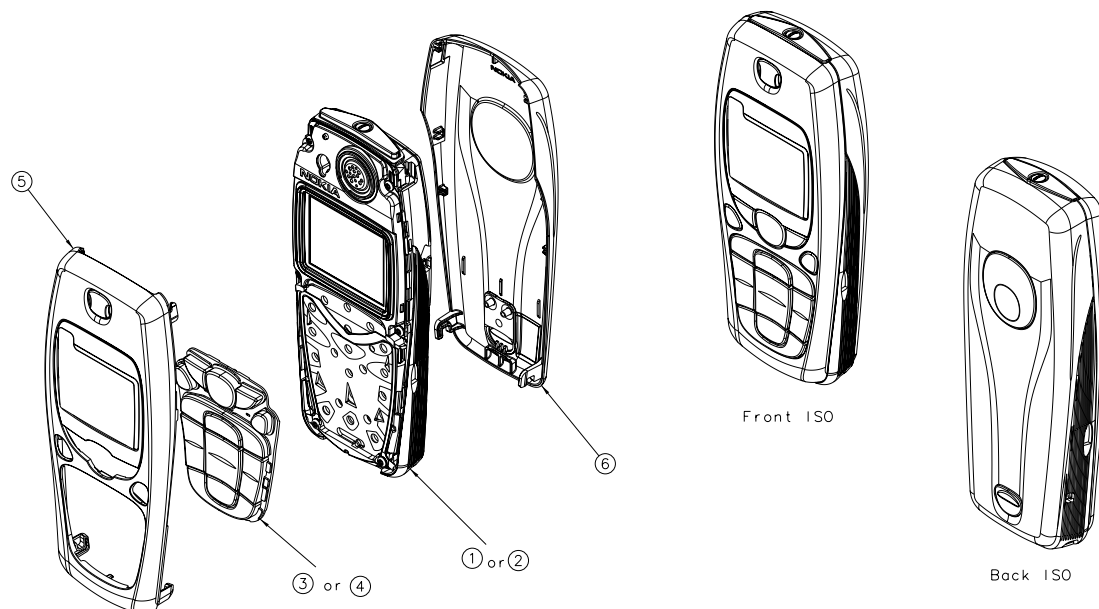
## 3520 Component Layout - Top





## Exploded Views

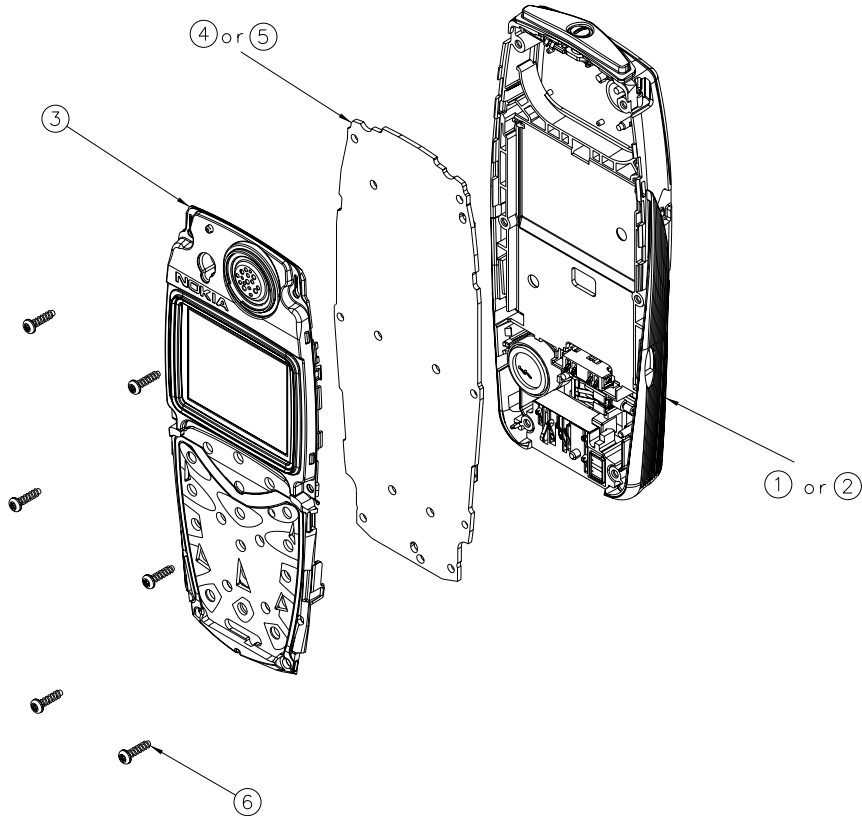
### Main Assembly



### Assembly Parts List

Item No.	Qty.	Part	Code	Value
1	1	(Internal) Module Dual Band	0510315	DMC06652
2	1	<b>(INTERNAL) MODULE SINGLE BAND</b>	<b>0510318</b>	<b>DMC06652</b>
3	1	Keymat Assembly - Latin	9790837	DMC06537
4	1	Keymat Assembly - Hebrew	9790846	DMC05982
5	1	A-cover Assembly - Pearl White	9491237	DMC06073
6	1	B-cover Assembly - Pearl White	9491242	DMC06032

### Internal Module Assembly Structure



### Assembly Parts List

Item No.	Qty.	Part	Code	Value
1	1	D-cover Assembly - Dual Band	9491055	DMC05767
2	1	<b>D-COVER ASSEMBLY - SINGLE BAND</b>	<b>9491109</b>	<b>DMC05767</b>
3	1	Color Display/UI Assembly	4850277	DMC05329
4	1	PWB - Dual Band	0202068	
5	1	<b>PWB - SINGLE BAND</b>	<b>0202092</b>	
6	6	Screws 1.8 x 7 mm	6290107	DMD05791



## Parts List

### RH-21 (3520) – EDMS Issue 2.10 Code: 0202092

Item	Code	Side	X	Y	Description	Value	Type
R100	1430788	Top	P	5	chip res 0W06	22K J	0402
R101	1620063	Top	N	5	res network 0W06	4X100R J	0804
R102	1430812	Top	O	6	chip res 0W06	220K J	0402
R150	1430754	Top	Q	6	chip res 0W06	1K0 J	0402
R151	1430754	Top	Q	6	chip res 0W06	1K0 J	0402
R152	1620031	Top	R	7	res network 0W06	2X1K0 J	0404
R153	1430754	Top	Q	7	chip res 0W06	1K0 J	0402
R154	1430778	Top	U	5	chip res 0W06	10K J	0402
R156	1430762	Top	Q	8	chip res 0W06	2K2 J	0402
R157	1620035	Top	M	8	res network 0W06	2X10R J	0404
R159	1430788	Top	Q	7	chip res 0W06	22K J	0402
R162	1430762	Top	R	7	chip res 0W06	2K2 J	0402
R163	1825033	Top	T	5	chip varistor	VWM14V VC46V	0402
R164	1430796	Top	Q	7	chip res 0W06	47K J	0402
R165	1430710	Top	Q	9	chip res 0W06	22R J	0402
R166	1430762	Top	R	7	chip res 0W06	2K2 J	0402
R175	1430710	Top	Q	9	chip res 0W06	22R J	0402
R181	1430770	Top	O	5	chip res 0W06	4K7 J	0402
R182	1430788	Top	P	5	chip res 0W06	22K J	0402
R183	1430770	Top	O	5	chip res 0W06	4K7 J	0402
R184	1430778	Top	Q	5	chip res 0W06	10K J	0402
R200	1419003	Top	R	9	chip res 0W5	0R22 J 200 PPM	1210
R202	1430087	Top	Q	6	chip res 0W06	100K J	0603
R203	1430087	Top	Q	6	chip res 0W06	100K J	0603
R204	1430804	Top	P	6	chip res 0W06	100K J	0402
R205	1430770	Top	P	6	chip res 0W06	4K7 J	0402
R206	1430804	Top	Q	7	chip res 0W06	100K J	0402
R207	1430770	Top	P	6	chip res 0W06	4K7 J	0402
R208	1430778	Top	Q	8	chip res 0W06	10K J	0402

Item	Code	Side	X	Y	Description	Value	Type
R209	1430804	Top	Q	8	chip res 0W06	100K J	0402
R215	1430087	Top	Q	6	chip res 0W06	100K J	0603
R221	1430268	Top	M	6	chip res 0W06	27K F 100 PPM	0603
R237	1430690	Top	M	6	chip res jumper	0R0	0402
R301	1430770	Top	B	7	chip res 0W06	4K7 J	0402
R310	1430754	Top	N	5	chip res 0W06	1K0 J	0402
R311	1430700	Top	O	5	chip res 0W06	10R J	0402
R316	1430778	Top	C	3	chip res 0W06	10K J	0402
R320	1430117	Top	M	6	chip res 0W06	100R F 200 PPM	0402
R450	1430803	Top	N	5	chip res 0W06	47K7 F 200 PPM	0402
R709	1430700	Top	J	7	chip res 0W06	10R J	0402
R712	1430700	Top	H	8	chip res 0W06	10R J	0402
R721	1430774	Top	J	8	chip res 0W06	6K8 J	0402
R722	1430772	Top	J	8	chip res 0W06	5K6 J	0402
R723	1430764	Top	J	8	chip res 0W06	3K3 J	0402
R724	1430691	Top	I	7	chip res 0W06	2R2 J	0402
R741	1430770	Top	I	8	chip res 0W06	4K7 J	0402
R742	1430772	Top	I	8	chip res 0W06	5K6 J	0402
R743	1430764	Top	I	9	chip res 0W06	3K3 J	0402
R744	1430744	Top	H	9	chip res 0W06	470R J	0402
R745	1430700	Top	F	9	chip res 0W06	10R J	0402
R771	1430786	Top	K	5	chip res 0W06	18K J	0402
R772	1430726	Top	K	5	chip res 0W06	100R J	0402
R773	1430700	Top	K	5	chip res 0W06	10R J	0402
R774	1430700	Top	I	6	chip res 0W06	10R J	0402
R791	1430778	Top	K	7	chip res 0W06	10K J	0402
R792	1430700	Top	K	7	chip res 0W06	10R J	0402
R818	1430268	Top	G	5	chip res 0W06	27K F 100 PPM	0603
R830	1430832	Top	K	6	chip res 0W06	2K7 J	0402
R831	1430734	Top	I	6	chip res 0W06	220R J	0402
R900	1430718	Top	F	6	chip res 0W06	47R J	0402
R903	1430169	Top	I	3	chip res 0W06	56R J	0603

Item	Code	Side	X	Y	Description	Value	Type
C100	2320536	Top	S	6	chip cap NPO	10P J 50V	0402
C102	2320536	Top	S	6	chip cap NPO	10P J 50V	0402
C105	2320744	Top	U	7	chip cap X7R	1N0 K 50V	0402
C150	2320544	Top	T	6	chip cap NPO	22P J 50V	0402
C151	2320783	Top	Q	7	chip cap X7R	33N K 10V	0402
C152	2320783	Top	Q	7	chip cap X7R	33N K 10V	0402
C153	2320546	Top	R	7	chip cap NPO	27P J 50V	0402
C155	2320805	Top	Q	7	chip cap X5R	100N K 10V	0402
C156	2320805	Top	Q	7	chip cap X5R	100N K 10V	0402
C157	2320560	Top	Q	8	chip cap X7R	680P J 50V	0402
C158	2320544	Top	T	5	chip cap NPO	22P J 50V	0402
C159	2320560	Top	Q	7	chip cap X7R	680P J 50V	0402
C160	2320481	Top	T	5	chip cap X5R	1U K 6V3	0603
C161	2320744	Top	Q	6	chip cap X7R	1N0 K 50V	0402
C162	2320744	Top	U	4	chip cap X7R	1N0 K 50V	0402
C163	2320744	Top	R	7	chip cap X7R	1N0 K 50V	0402
C164	2320744	Top	T	5	chip cap X7R	1N0 K 50V	0402
C165	2320546	Top	R	7	chip cap NPO	27P J 50V	0402
C166	2312201	Top	Q	9	chip cap		
C168	2320544	Top	U	4	chip cap NPO	22P J 50V	0402
C169	2320805	Top	Q	8	chip cap X5R	100N K 10V	0402
C170	2320546	Top	R	7	chip cap NPO	27P J 50V	0402
C172	2320546	Top	M	9	chip cap NPO	27P J 50V	0402
C173	2320546	Top	L	9	chip cap NPO	27P J 50V	0402
C174	2320544	Top	T	4	chip cap NPO	22P J 50V	0402
C175	2320744	Top	T	5	chip cap X7R	1N0 K 50V	0402
C176	2320544	Top	T	5	chip cap NPO	22P J 50V	0402
C177	2320544	Top	T	5	chip cap NPO	22P J 50V	0402
C179	2320805	Top	Q	5	chip cap X5R	100N K 10V	0402
C180	2320805	Top	O	5	chip cap X5R	100N K 10V	0402
C181	2320481	Top	P	5	chip cap X5R	1U K 6V3	0603
C182	2320481	Top	P	5	chip cap X5R	1U K 6V3	0603

Item	Code	Side	X	Y	Description	Value	Type
C183	2320582	Top	P	5	chip cap X7R	820P J 50V	0402
C184	2320805	Top	O	5	chip cap X5R	100N K 10V	0402
C201	2320481	Top	N	9	chip cap X5R	1U K 6V3	0603
C202	2320778	Top	R	8	chip cap X7R	10N K 16V	0402
C204	2320481	Top	O	9	chip cap X5R	1U K 6V3	0603
C205	2320481	Top	O	9	chip cap X5R	1U K 6V3	0603
C206	2320481	Top	P	9	chip cap X5R	1U K 6V3	0603
C207	2320481	Top	Q	6	chip cap X5R	1U K 6V3	0603
C208	2320481	Top	M	9	chip cap X5R	1U K 6V3	0603
C209	2320536	Top	P	9	chip cap NPO	10P J 50V	0402
C210	2320536	Top	P	8	chip cap NPO	10P J 50V	0402
C211	2320481	Top	P	9	chip cap X5R	1U K 6V3	0603
C212	2320481	Top	P	9	chip cap X5R	1U K 6V3	0603
C213	2320481	Top	O	9	chip cap X5R	1U K 6V3	0603
C215	2320481	Top	Q	7	chip cap X5R	1U K 6V3	0603
C216	2320481	Top	Q	7	chip cap X5R	1U K 6V3	0603
C217	2320778	Top	P	6	chip cap X7R	10N K 16V	0402
C218	2320805	Top	O	6	chip cap X5R	100N K 10V	0402
C219	2320481	Top	N	9	chip cap X5R	1U K 6V3	0603
C220	2320744	Top	P	6	chip cap X7R	1N0 K 50V	0402
C221	2320481	Top	M	9	chip cap X5R	1U K 6V3	0603
C222	2320481	Top	M	8	chip cap X5R	1U K 6V3	0603
C223	2320481	Top	M	8	chip cap X5R	1U K 6V3	0603
C224	2320481	Top	M	8	chip cap X5R	1U K 6V3	0603
C225	2320481	Top	M	8	chip cap X5R	1U K 6V3	0603
C226	2320481	Top	M	7	chip cap X5R	1U K 6V3	0603
C227	2320544	Top	Q	8	chip cap NPO	22P J 50V	0402
C228	2320481	Top	M	6	chip cap X5R	1U K 6V3	0603
C229	2320481	Top	M	7	chip cap X5R	1U K 6V3	0603
C230	2320778	Top	P	6	chip cap X7R	10N K 16V	0402
C231	2320481	Top	M	7	chip cap X5R	1U K 6V3	0603
C232	2320481	Top	M	7	chip cap X5R	1U K 6V3	0603

Item	Code	Side	X	Y	Description	Value	Type
C233	2320481	Top	M	9	chip cap X5R	1U K 6V3	0603
C234	2320481	Top	M	7	chip cap X5R	1U K 6V3	0603
C235	2320805	Top	Q	8	chip cap X5R	100N K 10V	0402
C236	2320805	Top	N	6	chip cap X5R	100N K 10V	0402
C237	2320805	Top	M	6	chip cap X5R	100N K 10V	0402
C238	2320491	Top	N	9	chip cap X7R	220N K 10V	0603
C239	2320805	Top	P	6	chip cap X5R	100N K 10V	0402
C245	2320481	Top	M	7	chip cap X5R	1U K 6V3	0603
C255	2320778	Top	P	6	chip cap X7R	10N K 16V	0402
C261	2312243	Top	M	8	chip cap X5R	4U7 K 6V3	0805
C262	2312243	Top	O	9	chip cap X5R	4U7 K 6V3	0805
C264	2320481	Top	Q	6	chip cap X5R	1U K 6V3	0603
C302	2320125	Top	C	3	chip cap X5R	1UK 16V	0603
C303	2320805	Top	C	3	chip cap X5R	100N K 10V	0402
C304	2320805	Top	C	3	chip cap X5R	100N K 10V	0402
C307	2320778	Top	T	3	chip cap X7R	10N K 16V	0402
C311	2320125	Top	L	5	chip cap X5R	1UK 16V	0603
C312	2320125	Top	M	5	chip cap X5R	1UK 16V	0603
C313	2320125	Top	L	6	chip cap X5R	1UK 16V	0603
C315	2320544	Top	B	8	chip cap NPO	22P J 50V	0402
C320	2320125	Top	L	6	chip cap X5R	1UK 16V	0603
C321	2320546	Top	O	6	chip cap NPO	27P J 50V	0402
C400	2320778	Top	Q	3	chip cap X7R	10N K 16V	0402
C401	2320805	Top	Q	4	chip cap X5R	100N K 10V	0402
C402	2320778	Top	O	5	chip cap X7R	10N K 16V	0402
C403	2320778	Top	O	5	chip cap X7R	10N K 16V	0402
C404	2320778	Top	P	5	chip cap X7R	10N K 16V	0402
C405	2320778	Top	O	5	chip cap X7R	10N K 16V	0402
C420	2320744	Top	M	4	chip cap X7R	1N0 K 50V	0402
C450	2320778	Top	M	5	chip cap X7R	10N K 16V	0402
C451	2320805	Top	M	5	chip cap X5R	100N K 10V	0402
C454	2320779	Top	O	5	chip cap X7R	100N K 16V	0603

Item	Code	Side	X	Y	Description	Value	Type
C700	2320552	Top	G	6	chip cap NPO	47P J 50V	0402
C701	2320536	Top	G	6	chip cap NPO	10P J 50V	0402
C702	2320805	Top	F	6	chip cap X5R	100N K 10V	0402
C703	2320536	Top	G	6	chip cap NPO	10P J 50V	0402
C704	2320805	Top	G	6	chip cap X5R	100N K 10V	0402
C706	2320552	Top	I	7	chip cap NPO	47P J 50V	0402
C707	2320744	Top	I	7	chip cap X7R	1N0 K 50V	0402
C708	2320481	Top	I	7	chip cap X5R	1U K 6V3	0603
C710	2320740	Top	H	8	chip cap X7R	680P K 50V	0402
C711	2320481	Top	H	7	chip cap X5R	1U K 6V3	0603
C712	2320552	Top	I	7	chip cap NPO	47P J 50V	0402
C720	2320588	Top	I	8	chip cap X7R	1N5 J 50V	0402
C721	2320783	Top	I	8	chip cap X7R	33N K 10V	0402
C722	2320588	Top	J	8	chip cap X7R	1N5 J 50V	0402
C723	2320522	Top	J	8	chip cap NPO	2P7 C 50V	0402
C724	2320548	Top	J	7	chip cap NPO	33P J 50V	0402
C725	2320520	Top	J	8	chip cap NPO	2P2 C 50V	0402
C726	2320744	Top	J	8	chip cap X7R	1N0 K 50V	0402
C740	2320590	Top	I	9	chip cap X7R	1N8 J 50V	0402
C741	2320783	Top	I	9	chip cap X7R	33N K 10V	0402
C742	2320588	Top	I	9	chip cap X7R	1N5 J 50V	0402
C745	2320548	Top	H	8	chip cap NPO	33P J 50V	0402
C747	2320536	Top	H	9	chip cap NPO	10P J 50V	0402
C748	2320538	Top	H	9	chip cap NPO	12P J 50V	0402
C749	2320744	Top	H	8	chip cap X7R	1N0 K 50V	0402
C750	2320514	Top	G	8	chip cap NPO	1P2 C 50V	0402
C751	2320520	Top	H	8	chip cap NPO	2P2 C 50V	0402
C752	2320740	Top	G	9	chip cap X7R	680P K 50V	0402
C753	2320481	Top	G	9	chip cap X5R	1U K 6V3	0603
C770	2320580	Top	K	5	chip cap X7R	680P J 50V	0402
C771	2480003	Top	K	4	chip cap PPS	8N2 J 16V	0805
C772	2320495	Top	K	5	chip cap NPO	1N0 J 50V	0603

Item	Code	Side	X	Y	Description	Value	Type
C773	2320466	Top	K	5	chip cap NPO	220P J 50V	0603
C774	2320536	Top	I	5	chip cap NPO	10P J 50V	0402
C775	2320481	Top	I	5	chip cap X5R	1U K 6V3	0603
C776	2320778	Top	I	6	chip cap X7R	10N K 16V	0402
C791	2320805	Top	K	7	chip cap X5R	100N K 10V	0402
C792	2320778	Top	K	7	chip cap X7R	10N K 16V	0402
C793	2320481	Top	J	7	chip cap X5R	1U K 6V3	0603
C801	2320552	Top	H	5	chip cap NPO	47P J 50V	0402
C802	2320778	Top	H	5	chip cap X7R	10N K 16V	0402
C803	2320536	Top	H	5	chip cap NPO	10P J 50V	0402
C806	2320552	Top	I	7	chip cap NPO	47P J 50V	0402
C807	2320536	Top	I	7	chip cap NPO	10P J 50V	0402
C808	2320805	Top	I	7	chip cap X5R	100N K 10V	0402
C820	2320552	Top	H	5	chip cap NPO	47P J 50V	0402
C821	2320552	Top	I	6	chip cap NPO	47P J 50V	0402
C822	2320805	Top	I	6	chip cap X5R	100N K 10V	0402
C830	2320778	Top	K	6	chip cap X7R	10N K 16V	0402
C831	2320602	Top	K	6	chip cap NPO	4P7 C 50V	0402
C832	2320602	Top	K	6	chip cap NPO	4P7 C 50V	0402
C833	2320536	Top	I	6	chip cap NPO	10P J 50V	0402
C834	2320536	Top	I	6	chip cap NPO	10P J 50V	0402
C900	2320744	Top	G	6	chip cap X7R	1N0 K 50V	0402
C901	2320631	Top	J	2	chip cap NPO	180P J 25V	0402
C902	2320744	Top	F	2	chip cap X7R	1N0 K 50V	0402
C903	2320631	Top	F	2	chip cap NPO	180P J 25V	0402
C904	2320005	Top	J	2	chip cap NPO HQ	82P J 25V	0603
C905	2320546	Top	J	2	chip cap NPO	27P J 50V	0402
C906	2320546	Top	J	2	chip cap NPO	27P J 50V	0402
C907	2320536	Top	I	3	chip cap NPO	10P J 50V	0402
C908	2320744	Top	I	3	chip cap X7R	1N0 K 50V	0402
C910	2320744	Top	F	3	chip cap X7R	1N0 K 50V	0402
C912	2320481	Top	F	3	chip cap X5R	1U K 6V3	0603

Item	Code	Side	X	Y	Description	Value	Type
C913	2320560	Top	H	4	chip cap X7R	680P J 50V	0402
C914	2320481	Top	I	3	chip cap X5R	1U K 6V3	0603
C915	2320536	Top	G	7	chip cap NPO	10P J 50V	0402
C916	2320805	Top	G	7	chip cap X5R	100N K 10V	0402
C918	2320744	Top	K	3	chip cap X7R	1N0 K 50V	0402
C919	2320635	Top	F	4	chip cap NPO	0P5 C 50V	0402
C921	2320744	Top	J	3	chip cap X7R	1N0 K 50V	0402
C930	2320536	Top	E	5	chip cap NPO	10P J 50V	0402
C931	2320744	Top	E	4	chip cap X7R	1N0 K 50V	0402
L100	3203743	Top	T	7	ferrite bead 0R03	42R/100MHz 3A	0805
L151	3203741	Top	U	4	ferrite bead 0R5	600R/100MHz	0603
L152	3203741	Top	U	5	ferrite bead 0R5	600R/100MHz	0603
L153	3203741	Top	U	6	ferrite bead 0R5	600R/100MHz	0603
L158	3203741	Top	U	5	ferrite bead 0R5	600R/100MHz	0603
L159	3203741	Top	U	6	ferrite bead 0R5	600R/100MHz	0603
L180	3203743	Top	Q	5	ferrite bead 0R03	42R/100MHz 3A	0805
L181	3203743	Top	Q	5	ferrite bead 0R03	42R/100MHz 3A	0805
L730	3645333	Top	I	8	chip coil 27N G	Q40/250MHz	0603
L746	3645331	Top	H	9	chip coil 47N G	Q38/200MHz	0603
L750	3645145	Top	G	8	chip coil 39N J	Q12/100MHz	0603
L751	3645145	Top	G	8	chip coil 39N J	Q12/100MHz	0603
L820	3645211	Top	I	5	chip coil 6N8 K	Q27/250MHz	0603
L821	3646069	Top	H	5	chip coil 33N J	Q23/800MHz	0402
L822	3646063	Top	H	5	chip coil 22N J	Q28/800MHz	0402
L823	3646007	Top	G	5	chip coil 27N J	Q27/800MHz	0402
L830	3643087	Top	K	6	chip coil 180N J	Q13/50MHz	0805
L831	3643087	Top	K	7	chip coil 180N J	Q13/50MHz	0805
L832	3645067	Top	I	6	chip coil 330N J	Q48/250MHz	0805
L900	3646065	Top	J	4	chip coil 12N J	Q31/800MHz	0402
L901	3646083	Top	J	2	chip coil 100N J	Q16/300MHz	0402
L902	3646061	Top	I	3	chip coil 15N J	Q30/800MHz	0402
L903	3643085	Top	H	3	chip coil 5N6 +-0N5	Q35 1.5A	0805



Item	Code	Side	X	Y	Description	Value	Type
Z101	3640085	Top	S	6	filt 470NF	16V 0R03 2A	0805
Z820	4511217	Top	H	5	Saw Filt	881.5+- 12.5MHz/3.5DB	3X3
Z830	4511209	Top	J	7	Saw Filt	135.54+- 0.013MHz/ 5.3DB	
Z905	4511151	Top	I	2	Saw Filt	824-849MHz/ 3.8DB	3X3
Z906	4512143	Top	E	3	Dupl	824-849/ 869-894MHz	9.5X7.5
Z907	4550141	Top	B	4	Dipl	824-894/ 1850-1990MHz	3.2X1.6
V100	4113721	Top	S	6	TVS DI 1PMT16AT3	16V 175W	PWRMITE
V301	4860411	Top	L	7	LED CL400S-WAH	>371MCD	INGAN TBSF
V302	4860411	Top	L	4	LED CL400S-WAH	>371MCD	INGAN TBSF
V308	4860421	Top	T	6	LED CL400S-WAL	>189MCD	INGAN TBSF
V309	4860421	Top	T	4	LED CL400S-WAL	>189MCD	INGAN TBSF
V318	4113669	Top	T	3	ZDIX4 TVS/ESD	RSA6.1EN 6V1	SOT353
V319	4210221	Top	O	5	TR MMBT6589 P	30V 1A LOWSAT	TSOP6
V725	4110953	Top	J	8	cap di 1SV280	C2V/C10V=2.4	SOD523
V744	4110911	Top	H	8	cap di MA2SV01	15/7PF 1/3V	SOD523
N180	4341221	Top	P	5	AF AMP 0.4W/ 2.6V	(LM4890)	USMD9
N300	4210371	Top	N	5	TRX2 UMF28N	N&P 50V 0.1A	SOT363
N750	4210247	Top	H	8	RF CASCODE AMP	BGA416 LNA	SOT143
N801	4370777	Top	H	6	Safari_T2 A807HEGT	BICMOS6M	LFBGA
N900	4341179	Top	J	3	UPCONV 900MHz	(OM5968)	TSSOP10
N901	4350311	Top	G	3	PW AMP RF9200	TDMA	800MHz
N930	4350293	Top	E	5	PWR Detector Module	800/1900MHz	
D200	4370825	Top	O	7	UEMK W-DOG	ENA T021	TFBGA168
D320	4341425	Top	M	5	White LED Driver	(LM2795BLX)	USMD14
D400	4370873	Top	P	3	UPP8M V2.2	F751986B C035	UBGA144
D450	4341529	Top	M	3	Flash 4MX16	1.8/1.8V	TBGA48

Item	Code	Side	X	Y	Description	Value	Type
G780	4350279	Top	J	5	VCO 2GHz	2.78V 10.5MA	TDMA
G790	4510307	Top	K	8	VCTCXO 19.44MHz	+/-2.5PPM 2.78V	
B200	4510219	Top	Q	8	Crystal 32.768KHz	+/-30PPM	9PF
T775	4550153	Top	I	4	Transf Balun	2060+/-70MHz	2.0X1.25
F100	5119019	Top	U	6	Sm Fuse F	1.5A 32V	0603
X900	5429021	Top	C	3	Sm Conn RF+SW	100V 1W 50R	2.2GHz
A100	9517229	Top	O	5	BB Shield Assy	DMC05660	HDDC2
A900	9517245	Top	H	6	RF Shield Assy	DMC05865	Cobra